

/// IS 244



With a sensor field that can be aligned in five directions, this compact sensor sees almost everything. Versions with M12 connector or convenient terminal compartment leave nothing to be desired.

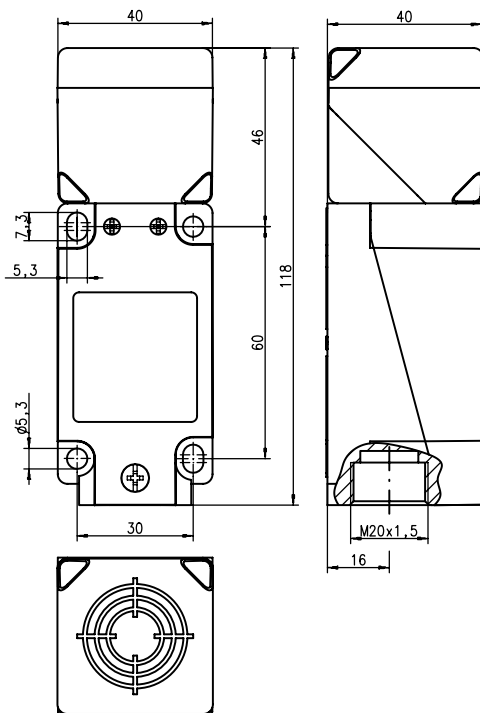


**Benefits:**

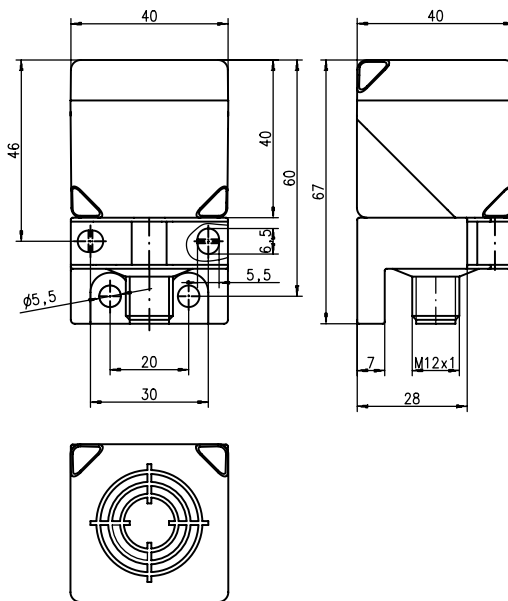
- Sensor field can be oriented in five directions for flexible mounting and simplified machine construction
- Status displays visible from all sides for reliable detection and commissioning
- Models with comfortable terminal compartment or M12 connector

Part no.	Part description	Operating range Sa Typ. operating range limit Sn	Switching frequency	Type of installation	Switching output 1	Switching output 2	Description	Connection	Material
50114218	ISS 244PP/44-40N-S12	0 ... 32.4 mm 40 mm	150 Hz	Non-embedded	Transistor, PNP, make-contact (NO)	Transistor, PNP, break-contact (NC)	DC	Connector, M12, 4-pin	Plastic
50114214	IS 244PP/44-40N-TB.4	0 ... 32.4 mm 40 mm	150 Hz	Non-embedded	Transistor, PNP, make-contact (NO)	Transistor, PNP, break-contact (NC)	DC	Terminal, 4-pin	Plastic
50114216	ISS 244PP/22-40N-S12	0 ... 32.4 mm 40 mm	150 Hz	Non-embedded	Transistor, NPN, make-contact (NO)	Transistor, NPN, break-contact (NC)	DC	Connector, M12, 4-pin	Plastic
50114212	IS 244PP/22-40N-TB.4	0 ... 32.4 mm 40 mm	150 Hz	Non-embedded	Transistor, NPN, make-contact (NO)	Transistor, NPN, break-contact (NC)	DC	Terminal, 4-pin	Plastic
50114217	ISS 244PP/44-20E-S12	0 ... 16.2 mm 20 mm	150 Hz	Embedded	Transistor, PNP, make-contact (NO)	Transistor, PNP, break-contact (NC)	DC	Connector, M12, 4-pin	Plastic
50114213	IS 244PP/44-20E-TB.4	0 ... 16.2 mm 20 mm	150 Hz	Embedded	Transistor, PNP, make-contact (NO)	Transistor, PNP, break-contact (NC)	DC	Terminal, 4-pin	Plastic
50114215	ISS 244PP/22-20E-S12	0 ... 16.2 mm 20 mm	150 Hz	Embedded	Transistor, NPN, make-contact (NO)	Transistor, NPN, break-contact (NC)	DC	Connector, M12, 4-pin	Plastic
50114211	IS 244PP/22-20E-TB.4	0 ... 16.2 mm 20 mm	150 Hz	Embedded	Transistor, NPN, make-contact (NO)	Transistor, NPN, break-contact (NC)	DC	Terminal, 4-pin	Plastic

**Dimensioned drawings: IS 244**



IS 244 series



ISS 244 series

Switching sensors

Measuring sensors

Products for safety at work

Identification

Data transmission / Control components

Industrial image processing

Accessories

**ACCESSORIES: INDUCTIVE SWITCHES, CUBIC HOUSING****Connection technology**

## Connection cables

Part no.	Part description	Connection 1	No. of pins	Cable length	Sheathing material
50130690	KD U-M12-4W-V1-050	Connector, M12, angled, female	4-pin	5,000 mm	PVC
50130648	KD U-M12-4A-V1-020	Connector, M12, axial, female	4-pin	2,000 mm	PVC
50130652	KD U-M12-4A-V1-050	Connector, M12, axial, female	4-pin	5,000 mm	PVC
50130871	KD U-M8-4W-V1-050	Connector, M8, angled, female	4-pin	5,000 mm	PVC
50130842	KD U-M8-3A-P1-020	Connector, M8, axial, female	3-pin	2,000 mm	PUR
50104520	K-D M8A-3P-2m-PVC	Connector, M8, axial, female	3-pin	2,000 mm	PVC
50130832	KD U-M8-3A-V1-050	Connector, M8, axial, female	3-pin	5,000 mm	PVC
50130854	KD U-M8-4A-P1-020	Connector, M8, axial, female	4-pin	2,000 mm	PUR
50130848	KD U-M8-4A-V1-020	Connector, M8, axial, female	4-pin	2,000 mm	PVC
50130850	KD U-M8-4A-V1-050	Connector, M8, axial, female	4-pin	5,000 mm	PVC

Further connection cables can be found on our website